

Features

- Minimum weight
- Excellent price-performance ratio
- Spool type design
- Ready to install

Manual spool valves	Type HSV700
up to 700 bar	up to 25 l/min



Applications

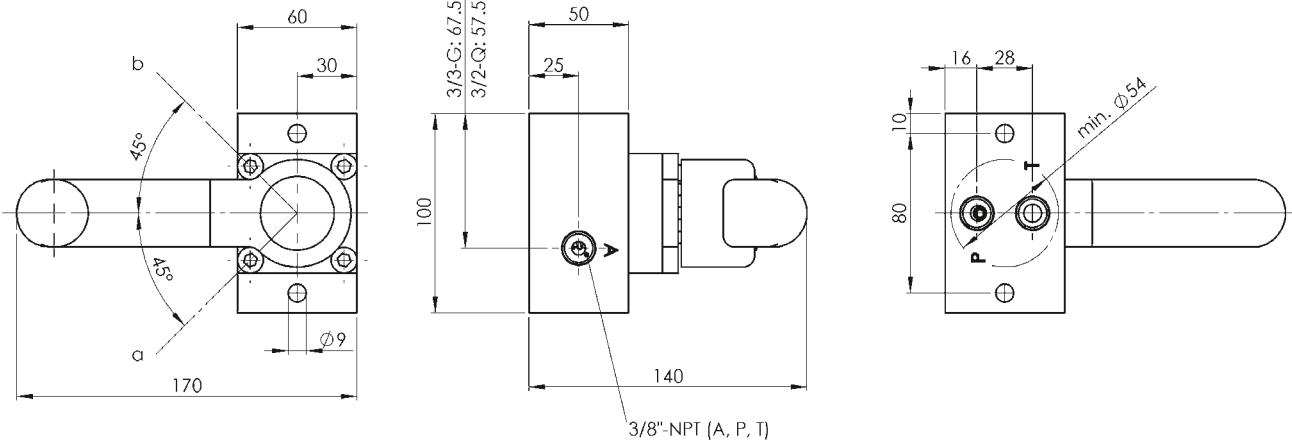
For single and double-acting systems, for direct installation onto hydraulic power units. Available as CETOP NG6, for manifold assembly or for in-line mounting.

Technical Data

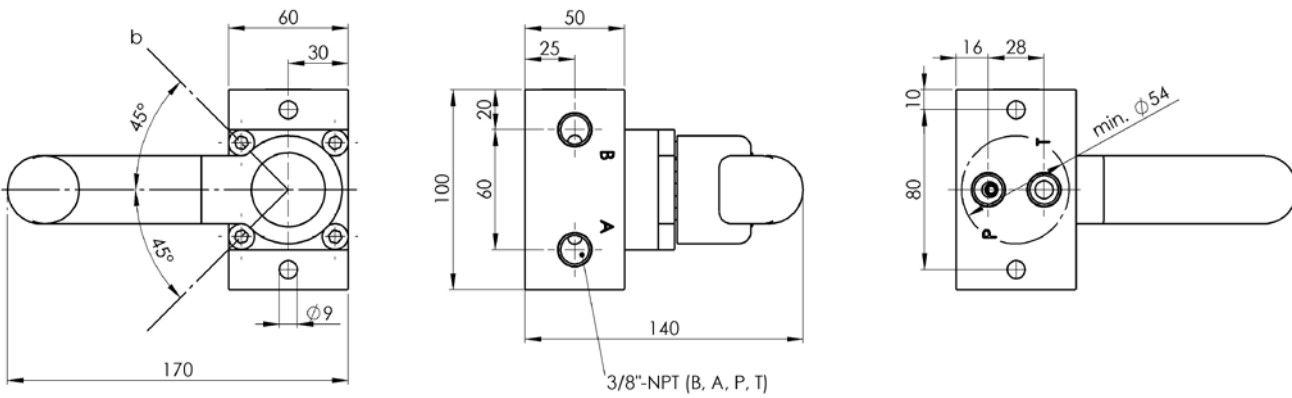
Hydraulic fluid	mineral oil according to DIN 51524 (other fluids upon request)
Fluid temperature range	NBR: -30 to 80 °C FPM: -20 to 80 °C
Ambient temperature range	-30 to 50 °C
Viscosity range	5 to 400 mm ² /s
Porting	In-line mounting: 3/8"-NPT (A, B, P, T) Assembly: NG 6 to DIN 24340 / ISO 4401 / CETOP RP 121 H
Operating pressure max. connection P, A, B	700 bar
Operating pressure max. connection T	70 bar
Flow rate max.	25 l/min
Filtration	according to NAS 1638, class 6 or ISO/DIN 4406 17/15/12
Weight	on request
Materials / surface finish	body: anodised aluminium handle: plastic

Manual spool valves up to 700 bar	Type HSV700 up to 25 l/min
---	--------------------------------------

For in-line mounting



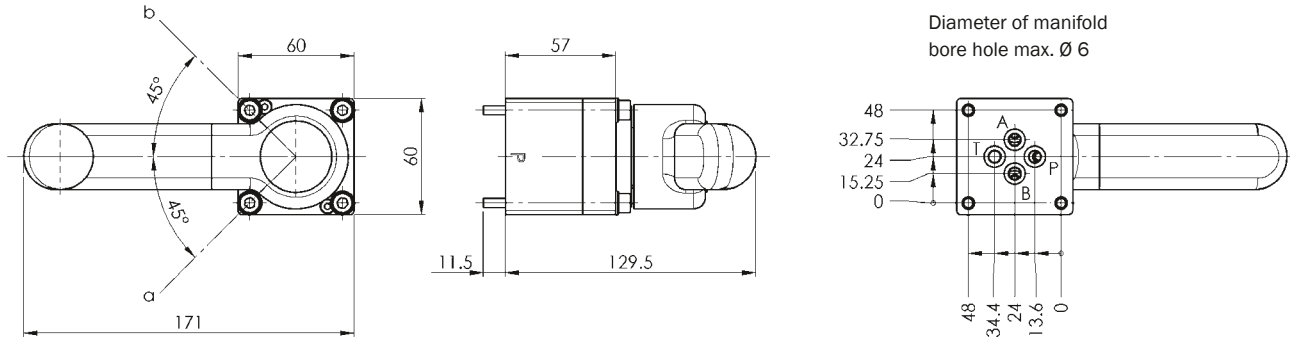
Function	Manual-operated detent HR	NBR	FPM
3/2-Q		60696	61945
3/3-G		60678	61946



Function	Manual-operated detent HR	NBR	FPM
4/2-J		69007	69008
4/3-H		61560	61947
4/3-E		61516	61948
4/3-U		60671	61949
4/3-J		68996	68997

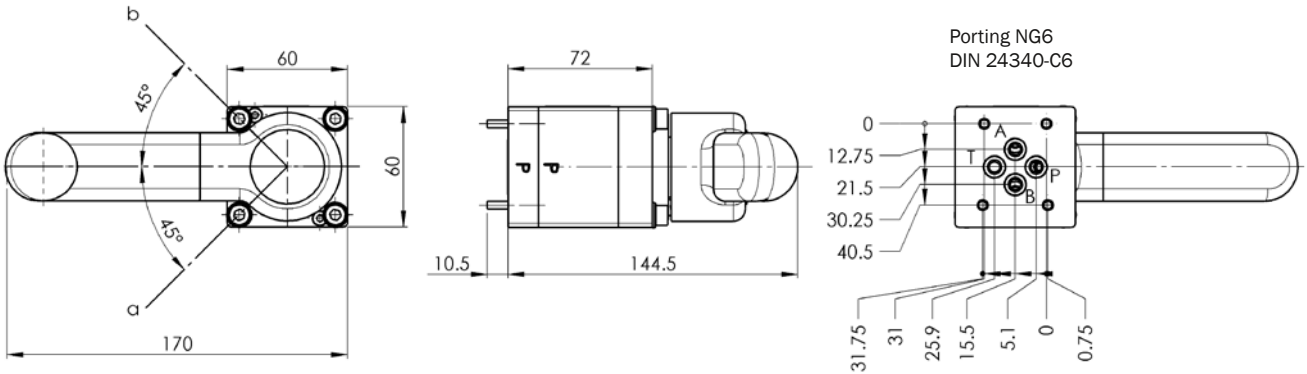
Manual spool valves	Type HSV700
up to 700 bar	up to 25 l/min

For manifold assembly



Function	Manual-operated detent HR	NBR	FPM
3/3-GB		69669	69676
4/2-JB		65341	69005
4/3-HB		61901	61963
4/3-EB		61902	61964
4/3-UB		61493	61965
4/3-JB		68991	68992

For CETOP connection



Function	Manual-operated detent HR	NBR	FPM
3/3-GC		69675	69677
4/2-JC		65119	69006
4/3-HC		61950	61952
4/3-EC		61951	61953
4/3-UC		61000	61954
4/3-JC		68994	68995

Manual spool valves up to 700 bar	Type HSV700 up to 25 l/min
---	--------------------------------------

Ordering code: Example

HSV	700	-	6	-	4	/	3	-	U	-	HR	-	P	-			00
-----	-----	---	---	---	---	---	---	---	---	---	----	---	---	---	--	--	----

Manual spool valve

Type HSV700

Size 6

Ports 3, 4

Positions 2, 3

Functions see type tables

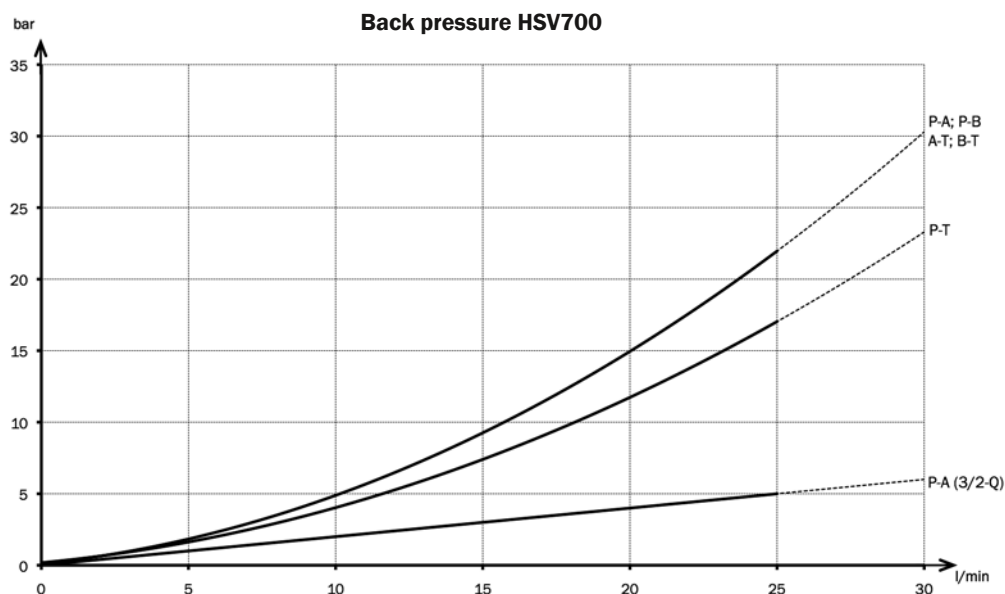
Operating mode HR manual-operated, detent

Seals P (NBR)
 V (FPM)

Special design
01 ... 99
(00 for standard)

Part index
Please leave
it blank
(small letters
a-z; different letters
do not effect
interchangeability)

Design revision
Capital letters A-Z;
identical letters
equal same
connecting
dimensions



As we are constantly improving our products, Bieri reserves the right to make changes to the technical specification without prior notice.

Bieri Hydraulik AG
Könizstrasse 274
CH-3097 Liebefeld/Switzerland
Tel. +41 31 970 09 09
Fax +41 31 970 09 10
sales@bierihydraulics.com

BIERI
HYDAC INTERNATIONAL